

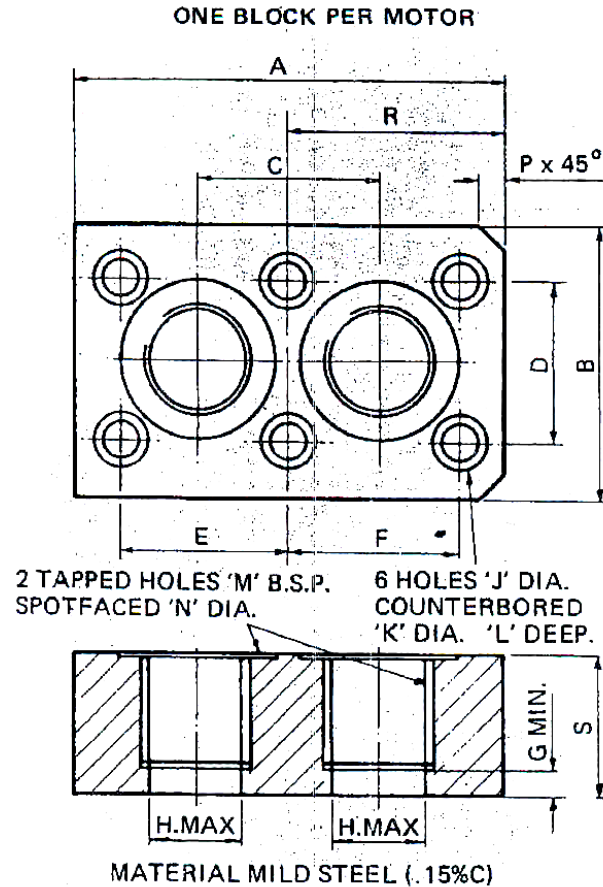
# PORT ADAPTOR

## Radial Piston Motors Staffa



### Overview

Six bolt port adaptors are available for use with SO3 and SO4 port options. To convert the counter bored motor ports to B.S.P tapped holes.



Motor Type	HMB060 HMB080 HMB100 HMB125 HMC080 HMC200	HMB150 HMB200	HMB150 HMB200	HMB270 HMB325 HMC270 HMC325	B400 HMHDB400
Port Option	SO3	SO3	SO4	SO4	Blank
Part No.	24147	24147	23160	23174	24631
A	120.65	120.65	120.65	146.05	146.05
B	63.50	63.50	76.20	76.20	101.60
C	60.33	60.33	50.8	66.68	66.68
D	44.45	44.45	44.45	50.80	3.06
E	50.80	50.80	47.63	60.33	1.70
F	50.80	50.80	47.63	60.33	64.26
G	6.35	6.35	6.35	6.35	6.35
H	28.58	28.58	28.58	31.75	38.10
J	10.32	10.32	10.32	10.32	13.49
K	15.88	15.88	15.88	15.88	20.64
L	12.7	12.7	12.7	12.7	14.29
M	1" BSP	1" BSP	1" BSP	1 1/2" BSP	1 1/2" BSP
N	44.45	44.45	44.45	60.33	69.86
P	6.35	6.35	7.94	6.35	6.35
R	60.33	60.33	60.33	73.03	89.91
S	31.75	31.75	31.75	38.10	38.10

Part No. 24631 supplied with 'O'rings. Remainder not supplied with 'O'rings as they are provided with the motor.  
To avoid error when replacing existing port adaptor check dimensions or consult K-One with motor model code and serial number when ordering.

Head Office - Perth  
1/1 Dampier Road  
Welshpool WA 6106  
Ph: +618 9358 2300

Sydney  
13/43 Sterling Road  
Michinbury NSW 2770  
Ph: +612 9675 4900

Brisbane  
1048-1054 Beaudesert Road  
Coopers Plains QLD 4108  
Ph: +617 3246 5201



